



DO NOT SCALE DRAWING

TOLERANCES (UNLESS NOTED)
 DECIMALS = ±inch/mm
 .X = ±.1 /2.54
 .XX = ±.03 /0.76
 .XXX = ±.010/0.25
 HOLES: ±.003-.002/+.08-.05
 ANGLES: = ± 30°

DRAWN	Gus H. Elias	09/00
CHECKED	W.Ho	09/00
ENGINEER	Gus H. Elias	09/00
SCALE	NONE	

CATEGORY
CONTROL DRAWING

TITLE
**Field Installation Diagram:
 IPH, Current-to-Pressure Transmitter
 Intrinsically Safe System
 For Hazardous 'Classified' Locations.**

DRAWING NUMBER
100-100-53

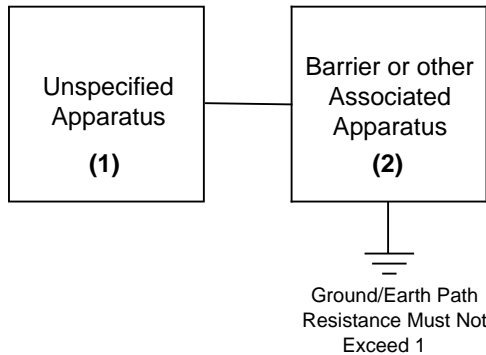
REVISION	B		
APPROVAL	CB		
REVISED BY	ECO 13163	DATE	BY
		G.E.	09/00

NOTICE RE PROPRIETARY INFORMATION: This drawing and the information contained herein are the proprietary property of Moore Industries-International, Inc. (MII) and should not be reproduced or disclosed to any third party without the written consent of an authorized officer of MII.

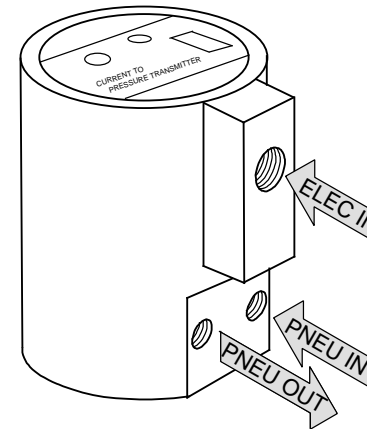
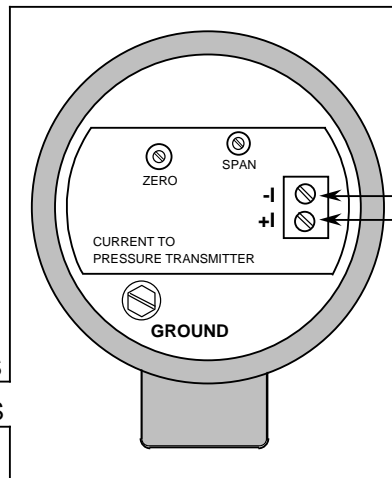
CERTIFIED PRODUCT

This is a controlled 'Related' or 'Schedule' drawing. No modifications are permitted without the notification and final approval of the Q.A. Certification Engineer (related dwgs.) or the Certifying Agency (schedule dwgs.).

Non-Hazardous Safe Area



IPH: Current-to-Pressure Transmitter



Entity Parameters (Power/Loop, +PS & -PS):

V_{max} or U_i	= 30 VDC
I_{max} or I_i	= 85 mA
P_{max} or P_i	= 0.6375 W
C_i	= 0 μ F
L_i	= 5 mH
C_a or C_o	$C_i + C_{cable}$
L_a or L_o	$L_i + L_{cable}$
V_{max} or U_i	V_{oc} or V_t
I_{max} or I_i	I_{sc} or I_t

Hazardous (Classified) Locations - FM (US NEC 500):
 Intrinsically Safe: Class I,II,III; Div. 1; Groups A-G.
 Non-Incendive: Class I, Div. 2, Groups A-D.
 Class II, Div. 2, Groups F & G and Class III, Div. 2.
 T Code: T6 @ 60°C Maximum Operating Ambient Temperature. Range: -40°C T_{amb.} +60°C

Hazardous 'Classified' Locations/Areas:
CSA International
 Intrinsically Safe: Class I, Div. 1, Groups A-D.
 Class II, Div. 1, Groups E, F & G.
 Class I, Div. 2, Groups A-D.
 Class II, Div. 2, Groups F & G. Class III.
CENELEC/ATEX
 Intrinsically Safe: E_{x} II 1G EEx ia IIC.

Environmental Protection: **IP65 & NEMA 4X**

Notes:

- (1) Apparatus which is unspecified except that it **must not** be supplied from, or contain under normal or abnormal conditions a source of potential with respect to earth in excess of 250 VRMS or 250 VDC which is considered to be the Safe Area's maximum voltage.
- (2) The Barrier or other Associated Apparatus **must** be approved by the "specific" (CSA/EECS/FM/LCIE/SAA/SIRA/TUV, etc..) certifying agency for I.S. connections in: "Class I-III, Division 1, Groups A-G" locations. The output voltage (**V_{oc}, V_t or V_o**) **must not** exceed 30 VDC & the output current (**I_{sc}, I_t or I_o**) **must not** exceed 85 mA. Also, it **must** be installed per the manufacturer's guidelines. *A Shunt Zener Barrier is NOT required for Non-Incendive (or Class I, Division 2 or Type N) installations.*
- (3) The combined Capacitance and Inductance of the inter-connecting cables and the PC Prog. Transmitters **must not** exceed the values indicated on the Associated Apparatus.
- 4- For FM applications, installation **must** be in accordance to '**ANSI-P12.6**' (Installation of I.S. Systems for Hazardous 'Classified' Locations) and the National Electric Code '**ANSI/NFPA 70**'. Also, a dust-tight conduit seal **must** be used when installed in Class II and Class III environments. For CSA applications, adhere to the 'Canadian Electric Code C22.1' most current publication on I.S. installation guidelines. For CENELEC/ATEX applications, adhere to 'BS5345 or EN 60079-14:1997' or any equivalent, most current and pertaining publication on I.S. installation guidelines.
- 5- **Warning:** Substitution of components may impair the Intrinsic Safety of the unit. **DO NOT** open the unit when either energized or when an explosive gas atmosphere is present. Disconnect power before servicing. Also read, understand and adhere to the manufacturer's installation and operating procedures.