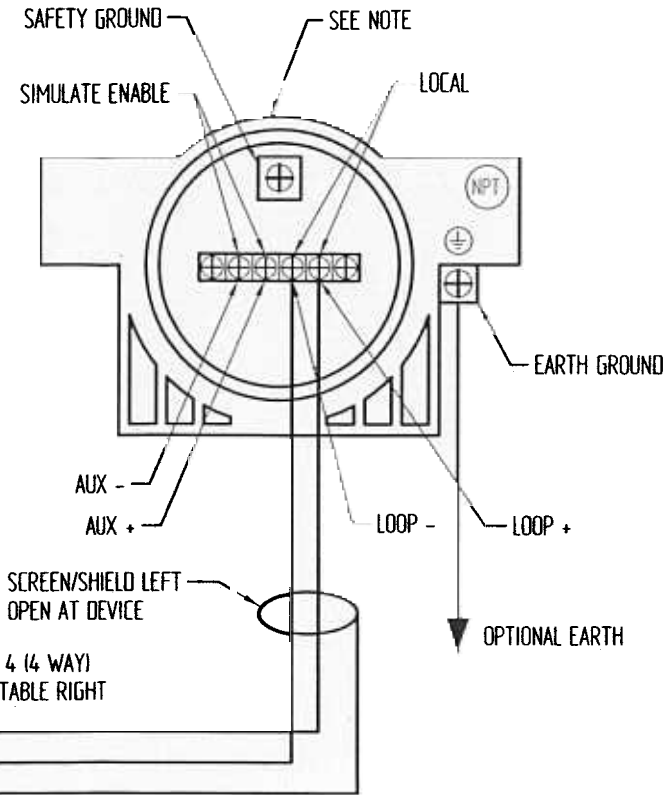


SIRA CERTIFICATE: Sira 00ATEX2090X, and Sira 00ATEX2090X variation 1



POSITION 1 OF ANY 4 (4 WAY)
OR 8 (8 WAY) SEE TABLE RIGHT

DVC5000f SERIES AND ROUTEMASTER 100 SERIES TERMINAL CONNECTION IDENTIFICATION:			
ROUTEMASTER 118	DVC5000f SERIES (5010f, 5020f, 5030f, 5040f)	ROUTEMASTER 114	DVC5000f SERIES (5010f, 5020f, 5030f, 5040f)
TERMINAL	TERMINAL	TERMINAL	TERMINAL
4+	LOOP +	4+	LOOP +
5-	LOOP -	5-	LOOP -
6 SCREEN		6 SCREEN	
10+	LOOP +	10+	LOOP +
11-	LOOP -	11-	LOOP -
12 SCREEN		12 SCREEN	
16+	LOOP +	37 SCREEN	
17-	LOOP -	38-	LOOP -
18 SCREEN		39+	LOOP +
22+	LOOP +	43 SCREEN	
23-	LOOP -	44-	LOOP -
24 SCREEN		45+	LOOP +
25 SCREEN			
26-	LOOP -		
27+	LOOP +		
31 SCREEN			
32-	LOOP -		
33+	LOOP +		
37 SCREEN			
38-	LOOP -		
39+	LOOP +		
43 SCREEN			
44-	LOOP -		
45+	LOOP +		

- NOTES:-
- FISHER CONTROLS INTERNATIONAL CONTROL VALVE MODEL DVC5000f SERIES INCLUDING DVC5010f, DVC5020f, DVC5030f & DVC5040f. LCIE CERTIFICATE = 95D6115 VARIATION 5, 6 & 7 THIS ITEM IS INSTALLED IN THE HAZARDOUS AREA.
 - ROUTEMASTER SERIES 100 MODEL 118 OR MODEL 114 (TWO IN SERIES) SIRA CERTIFICATE = 00ATEX2090X & 00ATEX2090X VARIATION 1 THIS ITEM IS INSTALLED IN THE HAZARDOUS AREA. SEE ALSO INSTRUCTION MANUAL IOM-100 V1.0 16/11/2000
 - TO SAFE AREA POWER SUPPLY MODEL 101B (19" RACK) CONNECT TO ISOLATOR CARD MODEL 102 SEE ALSO INSTRUCTION MANUAL IOM-100 V1.0 16/11/2000
 - THE SYSTEM IS TO BE MARKED WITH THE FOLLOWING DETAILS IN A STRATEGIC PLACE. SYST SIRA Ex01E2124.

APPROVED DOCUMENT

sira 27 JUN 2001

ON BEHALF OF SIRA CERTIFICATION SERVICE

A3 THIS IS A CAD DRAWING AND MUST BE EDITED AT SOURCE

<p>HAWKE CABLE GLANDS LIMITED OXFORD ST WEST ASHTON-U-LYNE OL7 0NA TEL +44 (0)161 308 3611</p>	<p>ALL COPYRIGHT RESERVED HAWKE CABLE GLANDS LTD 1999 THIS DRAWING AND ALL COPYRIGHT THEREIN IS THE PROPERTY OF HAWKE CABLE GLANDS LTD. (A Subsidiary of Hekelme UK Limited)</p> <p><small>COPYRIGHT CONDITION: THIS DRAWING SHALL BE USED ONLY FOR THE PURPOSE FOR WHICH IT IS PROVIDED AND NO REPRODUCTION OR PUBLICATION OF THIS DRAWING MAY BE MADE AND NO ARTICLE MAY BE MANUFACTURED OR ASSEMBLED IN ACCORDANCE WITH THIS DRAWING WITHOUT THE PRIOR WRITTEN CONSENT OF THE OWNER.</small></p> <p>REMOVE ALL BURRS AND SHARP EDGES USING MINIMUM CHAMFER OR RADIUS PARTICULARLY REMOVE ALL BURRS FROM START AND FINISH OF THREADS</p>	<p>3RD ANGLE PROJECTION</p> <p>DO NOT SCALE IF IN DOUBT ASK</p> <p>GENERAL TOLERANCES</p> <p>LINEAR 1/4/5/01</p> <p>ANGULAR 1</p> <p>UNLESS OTHERWISE STATED</p>	<p>DATE/SIG/DCN/ISSUE</p> <p>14/5/01 1</p>	<p>DRN WB</p> <p>EHD RWH</p> <p>DATE 26/4/01</p> <p>UNITS mm</p>	<p>TITLE</p> <p>WIRING SCHEMATIC FOR SYST SIRA Ex01E2124</p>	<p>DRG. No.</p> <p>HCGFB-901</p>
	<p>MODIFICATION</p>	<p>DATE/SIG/DCN/ISSUE</p>	<p>UNITS mm</p>	<p>SCALE N/A</p>	<p>SHEET 1 of 1</p>	