



DO NOT SCALE DRAWING

TOLERANCES (UNLESS NOTED)
 DECIMALS = ±inch / mm
 .X = ±.1 / 2.54
 .XX = ±.01 / 0.25
 .XXX = ±.005 / 0.125
 HOLES = ±.003 / 0.080
 ANGLES = ±1/2°

DRAWN	C. Whan	1/06
CHECKED	CAM	1/06
	O. Denton	1/06
SCALE	NONE	

CATEGORY	SPECIFICATION
TITLE	TG200 SERIES HOOK-UP DIAGRAM, FM

DRAWING NUMBER	TG200-FM			REVISION	A
REVISED BY	INITIAL RELEASE	DATE	1/06	BY	CM
NOTICE RE PROPRIETARY INFORMATION: This drawing and the information contained herein are the proprietary property of Moore Industries International, Inc. (MII) and should not be reproduced or disclosed to any third party without the written consent of an authorized officer of MII.		APPROVAL			
		CB			

UNCLASSIFIED LOCATION

WHERE ENGLISH IS NOT A LANGUAGE OF THE COUNTRY IN WHICH THE EQUIPMENT IS BEING USED, PLEASE APPLY TO MooreHawke FOR A SUITABLE TRANSLATION.

HAZARDOUS LOCATION

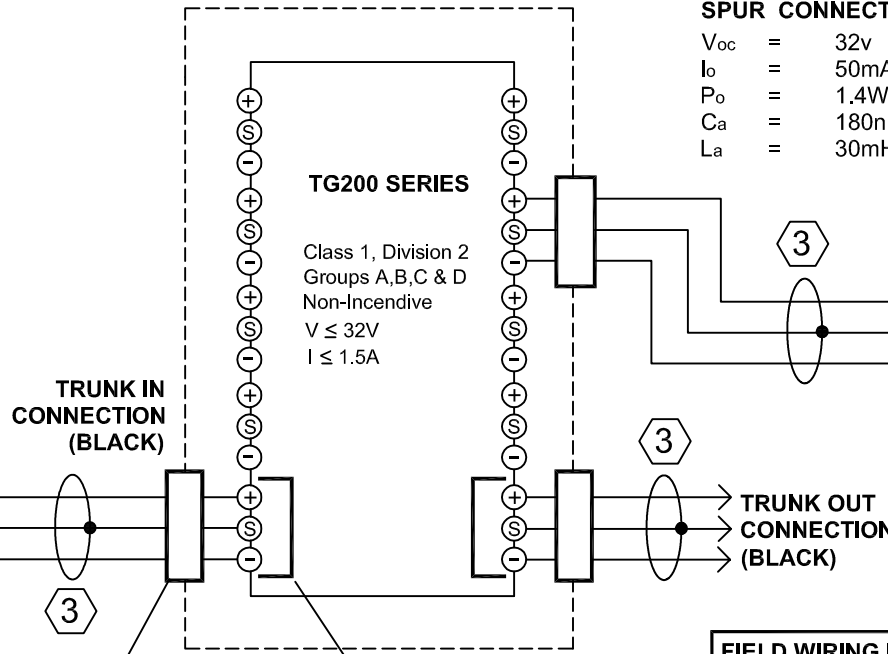
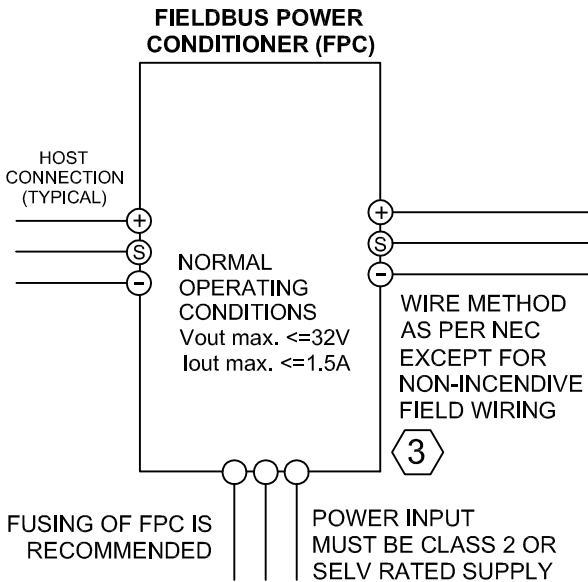
CLASS I, DIVISION 2, GROUPS A B C & D
 -45°C < Ta < +70°C

INSTALLATION MAY ONLY BE CARRIED OUT BY SUITABLY TRAINED PERSONNEL AND IN ACCORDANCE WITH NATIONAL WIRING REGULATIONS OR CODES OF PRACTICE. USER REPAIR OF TG200 SERIES UNIT IS NOT POSSIBLE. **WARNING: SUBSTITUTION OF ANY COMPONENT MAY IMPAIR SUITABILITY FOR DIVISION 2**

NON-INCENDIVE CONNECTIONS:
 SPURS ARE NON-INCENDIVE IF CABLE PARAMETERS QUOTED ABOVE ARE NOT EXCEEDED.
 NON-INCENDIVE SPURS MAY BE DISCONNECTED & RECONNECTED UNDER POWER.

SPUR CONNECTIONS (GREY)

Voc = 32v
 Io = 50mA
 Po = 1.4W
 Ca = 180nF (Grp AB) 1.23µF (Grp C) 4.60µF (Grp D)
 La = 30mH (Grp AB) 120mH (Grp C) 240mH (Grp D)



FIELD BUS DEVICE

Any FM (Entity) Approved Apparatus for Class1 Division2 Non-Incendive, Class1 Division1 Intrinsically-Safe. Only 1 device may be connected per spur, using shielded single twisted pairs only, either as single shielded cables or within a multicore where each pair is shielded.

DEVICE MAX. RATED VOLTAGE AND CURRENT MUST NOT BE EXCEEDED

NON-INCENDIVE FIELD WIRING

FIELD WIRING NOTES:

- No revision to drawing may be made without prior FM Approval
- The Nonincendive Apparatus must be FM Approved
- Associated apparatus manufacturer's installation drawing must be followed when installing this equipment
- The Nonincendive Field Wiring Circuit concept allows interconnection of Nonincendive apparatus with associated Nonincendive apparatus not specifically examined in combination as a system when:
 $V_{max} \text{ or } U_i > V_{oc}, V_t \text{ or } U_o; C_a > C_i + C_{cable}; L_a > L_i + L_{cable}$
- Installation should be in accordance with the National Electrical Code (ANSI/NFPA 70)
- The enclosure shall be installed in an enclosure meeting the requirements of ANSI/ISA S82.01 & S82.03 or other applicable ordinary location standards.
- Division 2 wiring method must be installed as per NEC.

Certified Product

This is a controlled 'Related' or 'Schedule' drawing. No modifications are permitted without the notification and final approval of the Certification Engineer (related dwgs.) or the Certifying Agency (schedule dwgs.)

WARNING - EXPLOSION HAZARD
 DO NOT DISCONNECT EQUIPMENT AT TRUNK TERMINALS WHEN FLAMMABLE OR COMBUSTIBLE ATMOSPHERE IS PRESENT



DO NOT SCALE DRAWING

TOLERANCES (UNLESS NOTED)
 DECIMALS = ±1/16 inch / mm
 .X = ±.1 / 2.54
 .XX = ±.01 / 0.25
 .XXX = ±.005 / 0.125
 HOLES = ±.003 / 0.080
 ANGLES = ±1/2°

DRAWN	C. Whan	1/06
CHECKED	CAM	1/06
	O. Denton	1/06
SCALE	NONE	

CATEGORY	SPECIFICATION
TITLE	TG200 SERIES HOOK-UP DIAGRAM, ATEX

DRAWING NUMBER	TG200-ATEX			REVISION	A
REVISED BY	INITIAL RELEASE	DATE	1/06	BY	CM
NOTICE RE PROPRIETARY INFORMATION: This drawing and the information contained herein are the proprietary property of Moore Industries International, Inc. (MII) and should not be reproduced or disclosed to any third party without the written consent of an authorized officer of MII.		APPROVAL			
		CB			

Certified Product
 This is a controlled 'Related' or 'Schedule' drawing. No modifications are permitted without the notification and final approval of the Certification Engineer (related dwgs.) or the Certifying Agency (schedule dwgs.)

WHERE ENGLISH IS NOT A LANGUAGE OF THE COUNTRY IN WHICH THE EQUIPMENT IS BEING USED, PLEASE APPLY TO MooreHawke FOR A SUITABLE TRANSLATION.

INSTALLATION MAY ONLY BE CARRIED OUT BY SUITABLY TRAINED PERSONNEL AND IN ACCORDANCE WITH NATIONAL WIRING REGULATIONS OR CODES OF PRACTICE. USER REPAIR OF TG200-DIN UNIT IS NOT POSSIBLE.

