



DO NOT SCALE DRAWING

TOLERANCES (UNLESS NOTED)

DECIMALS = ±inch / mm

.X = ±.1 / 2.54

.XX = ±.01 / 0.25

.XXX = ±.005 / 0.125

HOLES = ±.003 / 0.080

ANGLES = ±1/2°

DRAWN	C. Whan	1/06
CHECKED	CAM	1/06
	O. Denton	1/06
SCALE	NONE	

CATEGORY	SPECIFICATION
TITLE	TG200 SERIES HOOK-UP DIAGRAM, ATEX

DRAWING NUMBER	TG200-ATEX			REVISION	A
REVISED BY	INITIAL RELEASE	DATE	1/06	BY	CM
NOTICE RE PROPRIETARY INFORMATION: This drawing and the information contained herein are the proprietary property of Moore Industries International, Inc. (MII) and should not be reproduced or disclosed to any third party without the written consent of an authorized officer of MII.		APPROVAL			
		CB			

Certified Product

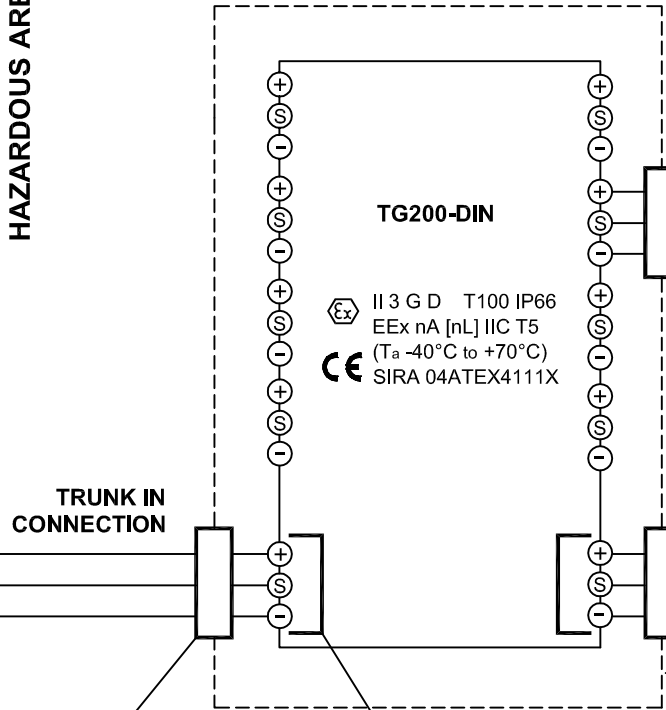
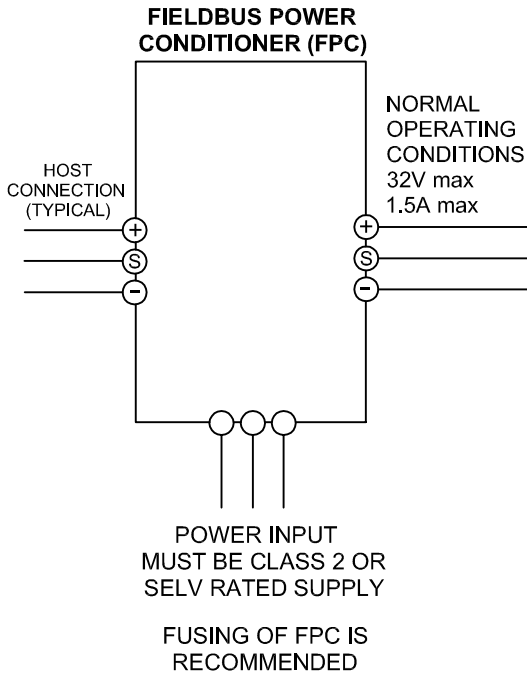
This is a controlled 'Related' or 'Schedule' drawing. No modifications are permitted without the notification and final approval of the Certification Engineer (related dwgs.) or the Certifying Agency (schedule dwgs.)

WHERE ENGLISH IS NOT A LANGUAGE OF THE COUNTRY IN WHICH THE EQUIPMENT IS BEING USED, PLEASE APPLY TO MooreHawke FOR A SUITABLE TRANSLATION.

INSTALLATION MAY ONLY BE CARRIED OUT BY SUITABLY TRAINED PERSONNEL AND IN ACCORDANCE WITH NATIONAL WIRING REGULATIONS OR CODES OF PRACTICE. USER REPAIR OF TG200-DIN UNIT IS NOT POSSIBLE.

NON-HAZARDOUS AREA

HAZARDOUS AREA



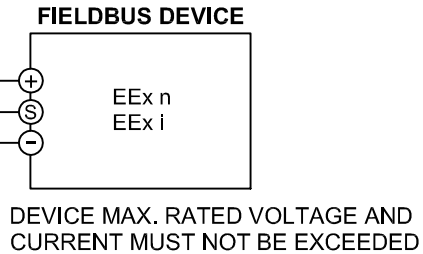
SPUR CONNECTIONS

U_o = U_i

I_o = 50mA

C_o = 180nF (IIC) 1.23µF (IIB) 4.60µF (IIA)

L_o = 30mH (IIC) 120mH (IIB) 240mH (IIA)



NON-INCENDIVE CONNECTIONS:
SPURS ARE NON-INCENDIVE IF CABLE PARAMETERS QUOTED ABOVE ARE NOT EXCEEDED. NON-INCENDIVE SPURS MAY BE DISCONNECTED & RECONNECTED UNDER POWER.

ENCLOSURE:
EEX E OR EEX N OR OTHERWISE SUITABLE FOR CAT. 3 G D APPLICATIONS
IP54 MINIMUM FOR GAS HAZARDS
IP6X MINIMUM FOR DUST HAZARDS
MUST BE CLOSED BEFORE USE IN HAZARDOUS AREA.

NO ACCESS TO TRUNK IN/OUT WIRING UNDER POWER IS PERMITTED UNLESS THE AREA IS KNOWN TO BE NON-HAZARDOUS BY (FOR EXAMPLE) LOCAL GAS DETECTION

IF ANY OTHER CIRCUITS PRESENT; CREEPAGE/CLEARANCE > 1MM BETWEEN ANY WIRING AND GROUNDED METAL AND ANY LIVE PARTS SHROUDED TO IP30 MINIMUM (IF LIVE WHEN ENCLOSURE IS OPENED).